



JARAG-L

User Manual

Rev A

JA521
FW V1.1

Chromlech

19, avenue Gabriel Fauré
35235 THORIGNE-FOUILLARD
FRANCE

Tel: +33 (0)2 23 20 77 67

Fax: +33 (0)2 23 20 75 71

E-mail: contact@chromlech.fr

Website: www.chromlech.fr

Table of contents

Table of contents	3
1. Introduction	4
Lamps and dimmer	4
DMX control	4
JA521 dimensions	5
2. Installation	6
Yoke mounting	6
Stacking	7
Other rigging methods	7
3. Precautions in use	8
4. Control panel	10
DMX indicator	10
Connectors	11
Settings menu	12
Menu structure	12
5. DMX control	13
6. Maintenance	13
7. Warranty	14
8. Specifications	15

1. Introduction

The JARAG-L provides the performance of a conventional lighting array with the ability to create unlimited lighting effects. All the electronics required (dimmers and control systems) are built in, making it simple and easy to use. It requires only a mains supply and a DMX cable.

Lamps and dimmer

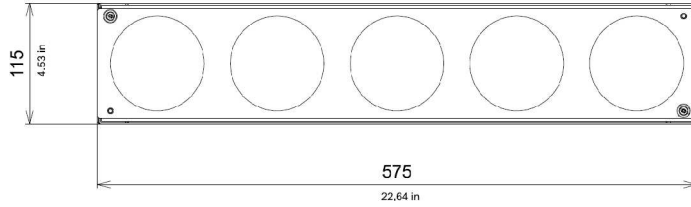
The JARAG-L has a 5 lamp linear array.

Each lamp is controlled individually by an integrated dimmer channel.

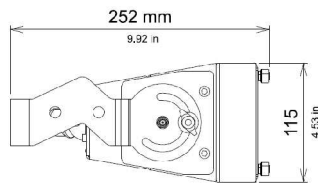
DMX control

Each lamp in the array is controlled independently (a DMX channel for each lamp).

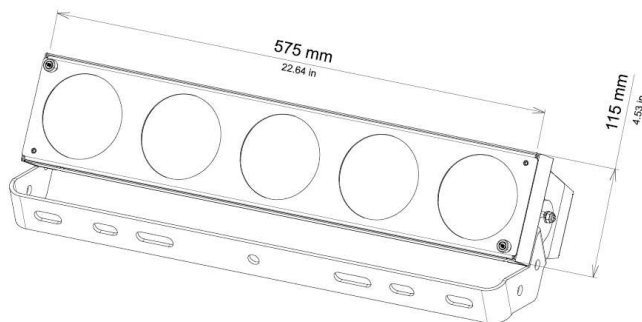
JA521 dimensions



JA521 – front view



JA521 – side view



JA521 – isometric view

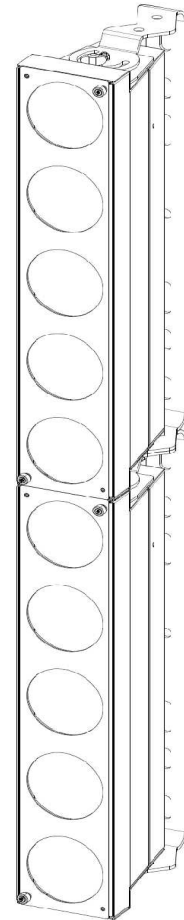


Figure 1: Dimensions

2. Installation

The JARAG-L can be installed at any angle, with adequate clearance from surrounding objects (see details on the casing).

Yoke mounting

- The yoke allows the Jarag-L to be attached to any type of truss using standard clamps so that it can be panned and tilted easily.

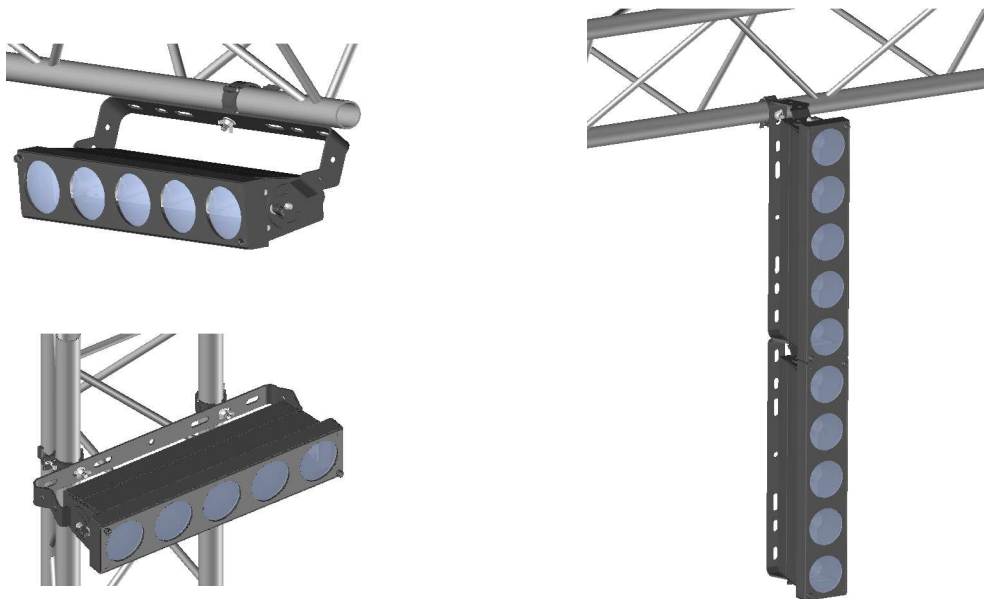


Figure 2: Yoke mounting

Important

The system must have a safety cable attached to the ring on the casing.

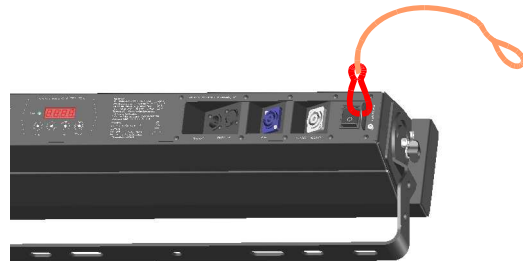


Figure 3: Safety cable ring

Stacking

The JARAG-Ls can be stacked to form larger arrays, where the angle of each unit can be adjusted individually.

The units are connected using two M10 bolts holes in the sides of the yokes.

Unless each yoke is attached to the truss frame, only one additional JARAG-L can be attached to a JARAG-L yoke.

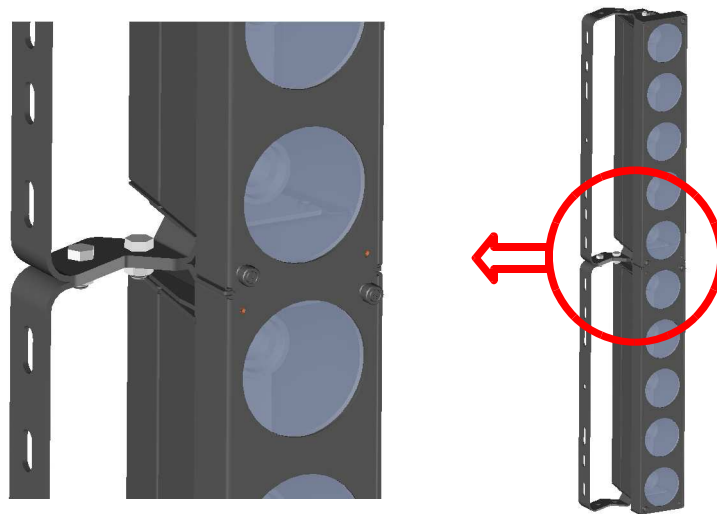


Figure 4: Stacking two arrays

Other rigging methods

The yoke is attached via a bracket using two hex socket screws and can be removed.

Other types of brackets are available for various methods of rigging.
Please contact us for further information.

3. Precautions in use

The JARAG-L array has its own dimmer and is designed to be connected directly to a mains supply. It should not be supplied via another dimmer.

The PAR30, max 75W, lamps are used in the array. The heat is given off from the front and care should be taken to provide adequate clearance from surrounding objects.

The unit should be turned off (main switch set to off/O) before connecting or disconnecting the PowerCon connector (see figure 5).

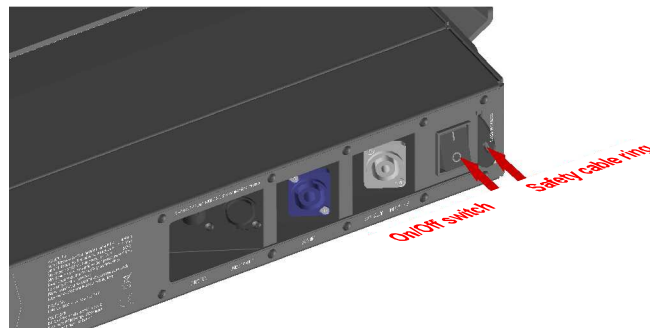


Figure 5: On/Off switch and safety cable ring

The rear panel should not be removed when the system is connected to the mains. The system must be turned off and disconnected before any maintenance is carried out.

Before use, check that the plug and cable are in good condition and that the unit is connected to earth.

The unit must be protected from rain and damp.

An appropriate safety cable must always be used (see safety cable ring in figure 5).

Turn off the mains supply before changing a lamp.

Any lamp that appears to be damaged or deformed should be replaced immediately.

After transport, check that the lamps are firmly screwed into their sockets.

This equipment is designed for professional use. Read the precautions in use and user manual before using the equipment.

Connecting to the mains

Use the male PowerCon (Neutrik) connector supplied. The mains cable and mains socket must meet the requirements of the country in which the equipment is installed.

The JARAG-L is an IEC class 1 appliance. The earth conductor in the mains cable must be connected to the mains earth.

NB

Operating conditions

- Minimum distance from combustible objects = 0.6 m
- Minimum distance from lit objects = 1.60m
- Maximum ambient temperature = 35°C
- Maximum temperature of external surface = 100°C

4. Control panel

The main parameters of the unit can be set using the integral control panel. This panel is on the back of the unit and has 4 buttons and a display. The settings are stored in non-volatile memory.



Control panel (on rear panel)

DMX indicator

Status	Description
Not lit	Unit not under power
Green	DMX signal present and correct
Orange	Occasional DMX errors: poor quality DMX signal Check the connections and the signal integrity.
Red	No usable DMX signal. DMX cable not connected, faulty or reversed.

Connectors

	DMX IN
Function	DMX 512 input
Type	XLR male 5 pin
Pinout	1: Ground 2: DMX – 3: DMX + 4: Not connected 5: Not connected

	DMX OUT
Function	DMX 512 output
Type	XLR female 5 pin
Pinout	1: Ground 2: DMX – 3: DMX + 4: Not connected 5: Not connected

	AC IN (blue)
Function	Mains supply input
Type	Neutrik PowerCon 20A, type A

	AC OUT (grey)
Function	Mains supply output
Type	Neutrik PowerCon 20A, type B
Note	Directly connected to AC IN (no fuse, no switch) Do not exceed the nominal current shown on the chassis (16A)

Settings menu

The settings menu is accessed using the following buttons:

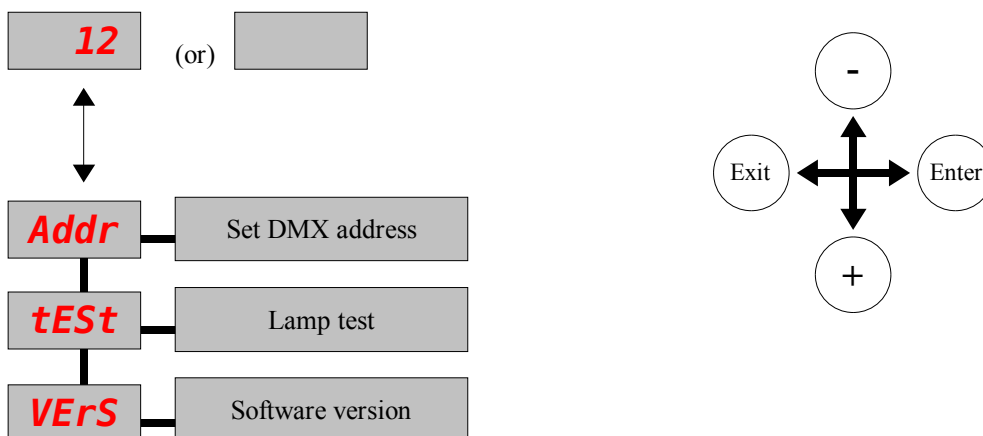
	<i>Navigation through the menus</i>	<i>Setting a value</i>
ENTER	Enter the (sub-)menu	Save the changes
EXIT	Exit the (sub-)menu	Cancel the changes
+	Next item	Increase the value
-	Previous item	Decrease the value

Holding the '+' or '-' button down increases the speed at which the value increases or decreases.

When setting a value, the 4 dots [. . . .] are lit on the display.

By default, the display is either off or shows the DMX address of the unit. To enter the menu, press [ENTER]. The display returns automatically to its default status if no button is pressed for a period of 1 minute.

Menu structure



	Addr
Function	Set the DMX address
Value	The value shown defines the first DMX channel for the system. Minimum = 1 Maximum = 512 Maximum value for single channel operation = 512 Maximum value for 5 channel operation = 508

	Test
Function	Tests that all the lamps light up
Value	Test enabled = all the lamps are lit (reduced brightness)

5. DMX control

The brightness of each lamp is controlled directly by a DMX channel.

Channel 1 to 5	Brightness
0 % to 100%	Off Full On

6. Maintenance

To change a lamp, unscrew the two mounting screws on the front panel. See figures 6 and 7.

Note: only use 230V, 75W max, PAR30 lamps with aluminium reflector.

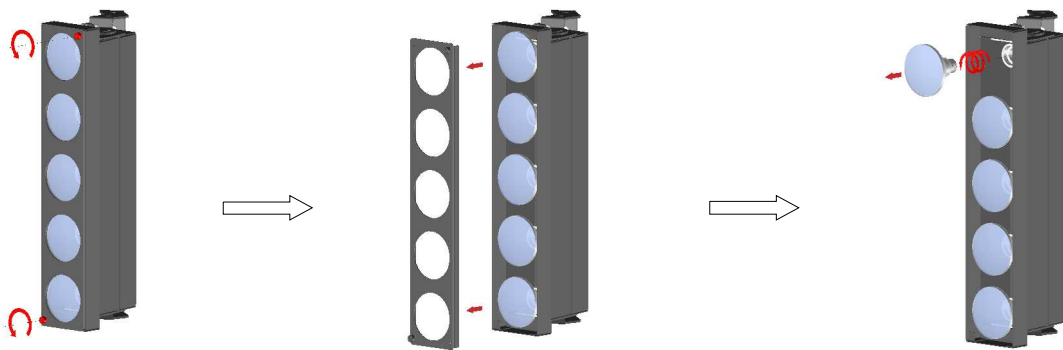


Figure 6: Removing a lamp

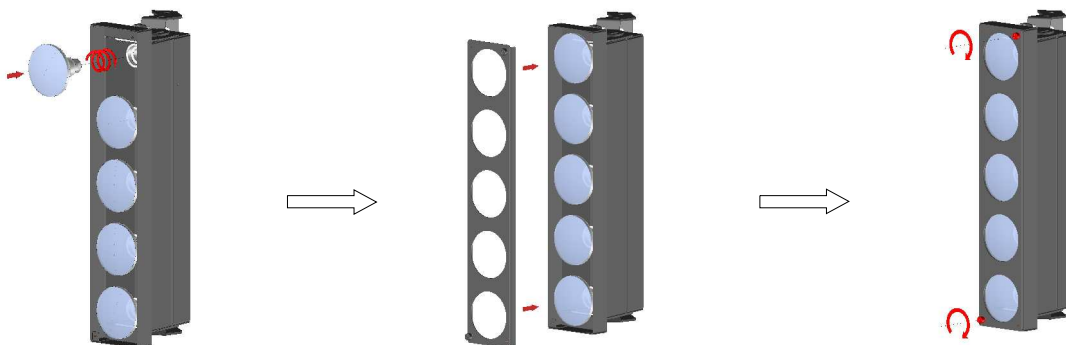


Figure 7: Fitting a lamp

7. Warranty

Scope of the warranty

Equipment is guaranteed against faulty materials and manufacturing faults for 1 (one) year from the date of delivery subject to written notification that a fault has occurred being sent to Chromlech within 15 (fifteen) days.

If the equipment is repaired, the repairs will be carried out by Chromlech or one of its subcontractors. Only Chromlech has the authority to appoint the repairer.

If Chromlech carries out repairs and/or replaces a part or the equipment during the guarantee period, the original guarantee period is not extended.

Chromlech has sole authority for deciding what action should be taken under the terms of this guarantee, in particular:

- whether the equipment should be repaired on the customer's site or
- whether the equipment should be returned by the customer to Chromlech so that it can be repaired.

Under the terms of the warranty, the customer is liable for any risks and transport costs and may not claim for any losses due to the equipment being unavailable while under guarantee.

Exclusions

This warranty does not apply to visible faults.

- The warranty is not valid in the following circumstances:

- failure to comply with the recommendations for using and maintaining the equipment
- abnormal use of the equipment
- errors in operating the equipment
- failure to maintain the equipment
- repairs carried out by a third party without authorisation from Chromlech

This warranty also excludes:

- components with a life-time in normal use that is less than the warranty period
- replacement of consumables
- replacement of glass parts
- wear parts (in particular lamps, filters, gobos, flight case)
- faults and their consequences resulting from external causes

Limitation of liability

If a claim is made under the above warranty, Chromlech's obligation to repair the equipment will be limited to replacing the equipment free of charge or repairing the equipment or the components recognised as being faulty, whichever it sees fit, to the exclusion of carrying out any other repairs of whatever sort.

Chromlech is in no circumstances liable for indirect losses caused to the customer or a third party, such as in particular operating losses or other business losses (including loss of orders, loss of revenue or profits, loss of data or inability to make planned savings or profits) or immaterial losses (including loss of reputation or image).

8. Specifications

Supply	DC, integral dimmer 200-230V / 50-60Hz / 1.6A / 375 W
Lamps	5 PAR30 lamps 230V, 75W type Hi-spot 95, 10°, 2900K, 3000h, E27
Chassis	Aluminium, matt black paint
Dimensions	575 x 115 x 250 mm (HxLxD)
Weight	3.7 kg (with yoke, without lamps) 4.5 kg (with yoke and lamps)
Rigging	By adjustable yoke
Assembly	The JARAG units can be stacked to provide constant distance between lamps
Connections	Powercon 20A in/out, DMX in (XLR5), DMX out (XLR5)
Control	DMX – 5 channels



Chromlech

19, avenue Gabriel Fauré - 35235 Thorigné Fouillard
Tel : 02.23.20.77.67 - Fax : 02.23.20.75.71
E-mail : contact@chromlech.com - Web : www.chromlech.com