

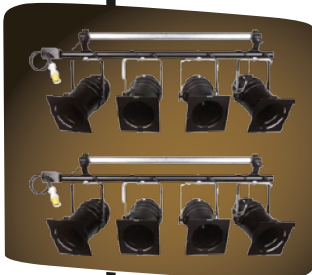
Gleamer



Low-Voltage Lighting Dimmer

Architectural

Low-voltage



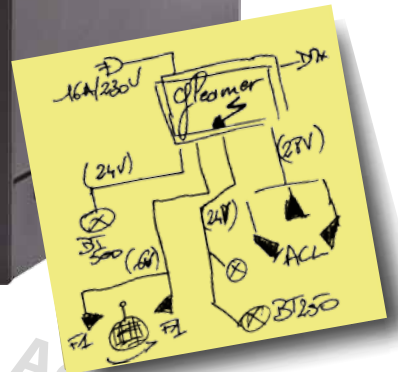
Solo



Revival



Power



Fashion

Theatre

Aeronautics

Touring

Overview

The Gleamer is revolutionary!

Did you ever dream of controlling your low voltage lamps independently?

This was a real challenge for Chromlech and we finally achieved it!

The Gleamer provides a DMX dimmer control for each low voltage bulb of a light set (Aircrafts, Svoboda, ...)

With 9 channels in the box, the Gleamer accomodates any set of low voltage light sources from 6 to 28 volts. Should you require high power, its 12 Amps / 300 watts channels can be paralleled to deliver low-voltage energy up to 2700W.

I can see a Gleam in your eyes....

Installation

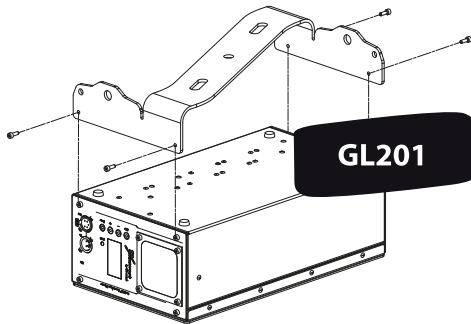
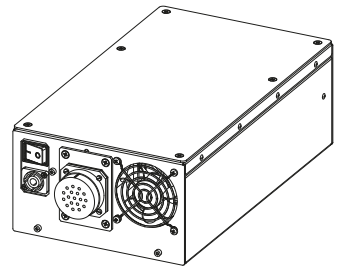
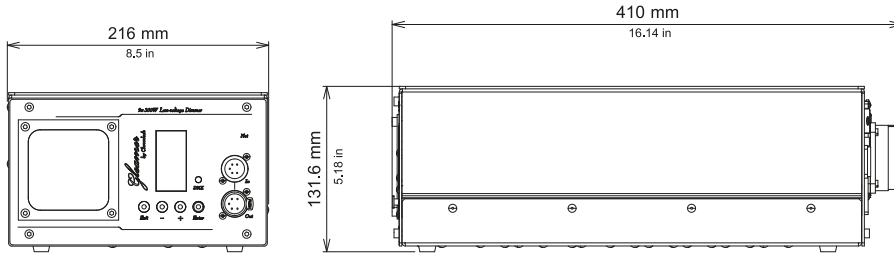
Dance

Rock Stage

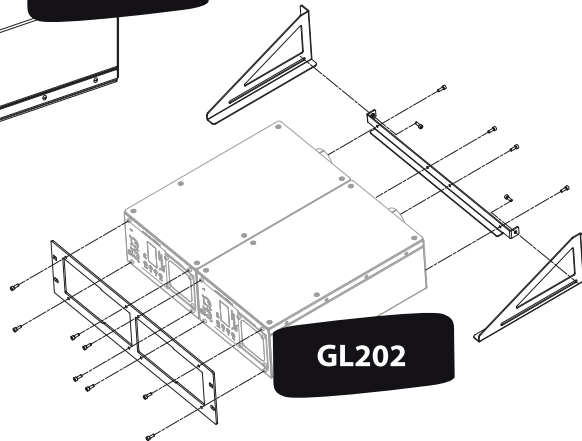
TV Show

Design

GL109



GL201



GL202

GL203



Specifications

Power in	200 - 230V AC, 50 - 60Hz, 3000W, 13A
Power out	9 channels, 6 to 28V - 12Amp. max. per channel, resistive load only. Channels coupling allows for increased power
Frame	Aluminium frame, black epoxy finish
Dimensions	3U, half 19" rack - 216 x 131.6 x 410 mm - 8.5 x 5.18 x 16.14 in (WxHxD) - Weight : 7.7Kg
Connectors	Powercon 20A, DMX in (XLR5), DMX out (XLR5), Output on Socapex (type 419) or Screw terminals
Control	DMX, 9 channels
Accessories	GL201 : Yoke for truss mounting GL202 : Rack mount kit (for 2 Gleamer) GL203 : Flight-case for 6 Gleamer, with 32Amps/3P+N power distribution (requires 3x GL202)

CHROMLECH

19, avenue Gabriel Fauré - 35235 Thorigné-Fouillard - France
Tel : +33 (0)2 23 20 77 67 - Fax : +33 (0)2 23 20 75 71
e-mail : contact@chromlech.com - Web : www.chromlech.com